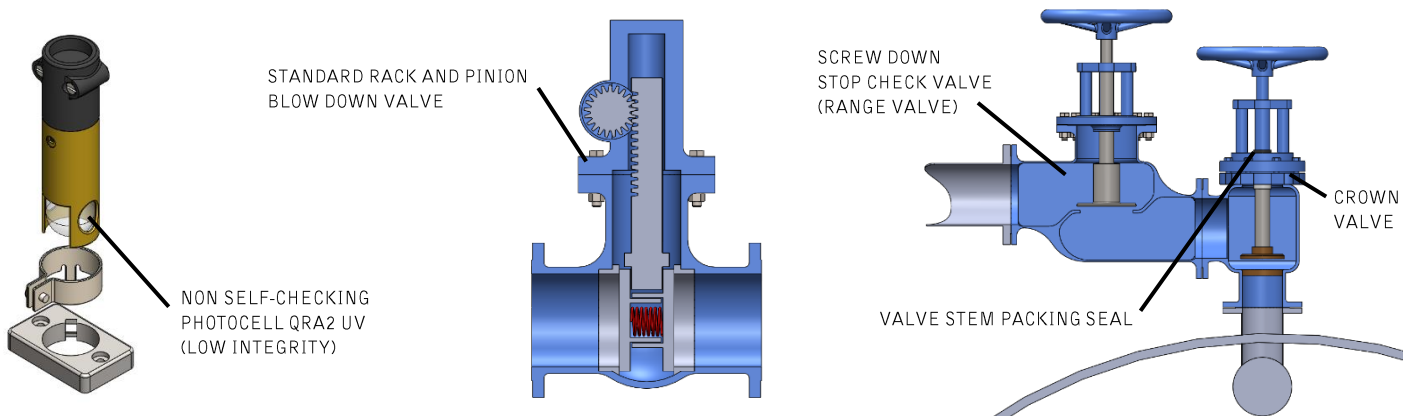


ROUTINE BOILER & BURNER CHECKS

As listed in the 'INDG 436/BG01 Boiler Operator Guidance Note', routine boiler and burner checks are needed to ensure system safety and give early warning of potential failures. Depending on the installation and integrity of the equipment fitted, it is recommended that as a minimum the following are checked:

- Boiler level gauge glasses to be inspected regularly and be blown through at minimum intervals of once a week assuming the boiler meets the equipment level listed in 'Arrangement No. 2' within BG01. For 'Arrangement No. 1' installations this must be done daily or at the start of each shift.
- Check boiler refractory brickwork to ensure structure is sound and no large cracks or deformities are present. Should any deformities or abnormalities be present, contact SAACKE Combustion Services for inspection and advice. If in any doubt, shut down the boiler.
- Check furnace condition and flame for any notable changes such as soot patches and glowing hotspots around the burner flame baffle ring.
- Inspect cabling and control panel for faults and if oxygen trim is installed record results including flue temperature as this can highlight important changes in the boiler and burner condition. Flue temperatures should be taken at low fire at the same boiler pressure to give an accurate temperature reading in the flue.
- If the burner controls use a non self-checking photocell such as a QRA2, the burner must restart once in a 24 hour period. If water level tests are performed daily, this is adequate. Hot water installations are not likely to restart regularly and consideration should be given to upgrading the flame scanner device to a new failsafe device as part of a standard retrofit installation.



- Inspect all boiler joints and valve packing seals for leaks and report as necessary.
- Test bottom blow down valve daily by fully opening and closing the valve slowly. (Steam boilers only).
- Record all operations in boiler-house log book and report any defects to the user/owner as defined in the 'BG01 Guidance Note' Section 5.2.

Notes:

System restarts following a lock-out should only be made by a suitably experienced and competent boiler operator. Repeated attempts to re-start boiler plants should not be made unless part of a controlled fault identification process. If in doubt, call your service provider.

These notes are intended for guidance only, and SAACKE Combustion Services Ltd exclude all liability for their accuracy or relevance to specific plant or sites who are responsible for carrying out regular risk assessments and introducing site specific procedures.

Contact SAACKE for upgrades, service, spare parts and training.

